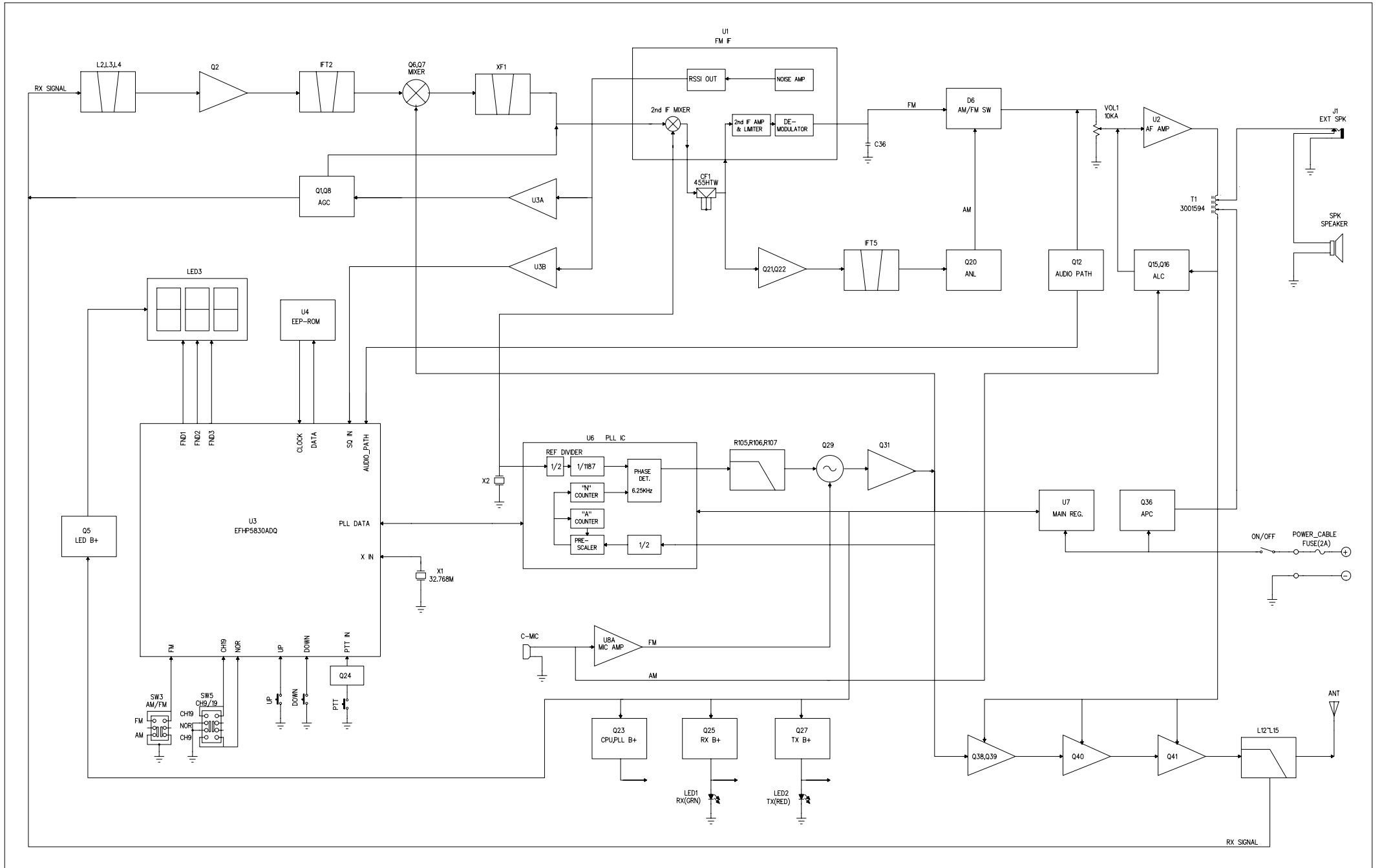
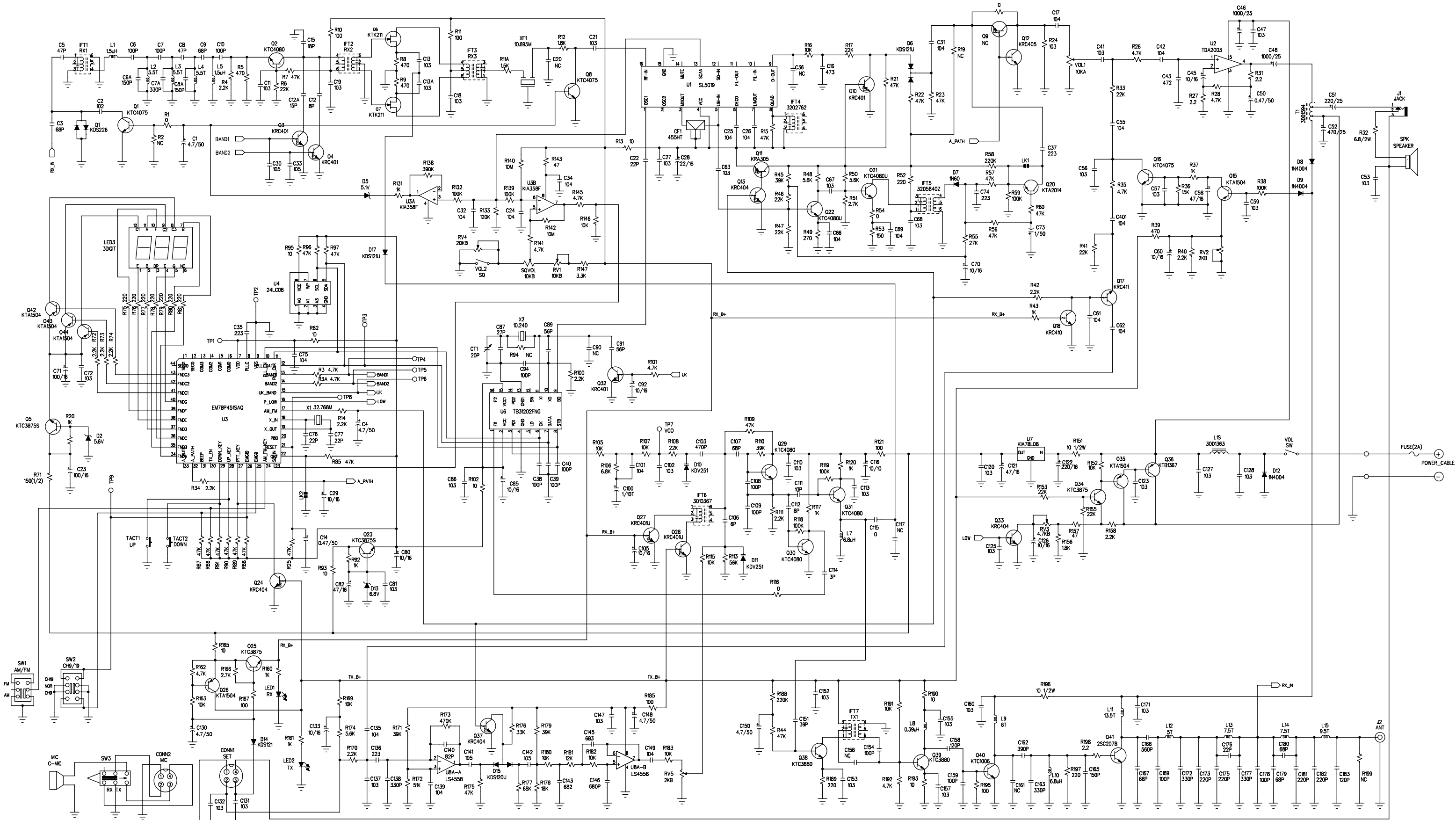


# M-120 PLUS BLOCK DIAGRAM





INTEK SRL

TITLE: M-120 PLUS SCHEMATIC				
DRAWN	CHECKED	CHECKED	APPROVAL	SHEET
J.HYANG		HW.LEE	HW.LEE	1 OF 1
				REV.
03.MAY.2008		06.MAY.2008	06.MAY.2008	5

